

# Hypra<sup>®</sup> Prisinter... take a load off your mind

With its unique interlocked load break, the Prisinter is a key asset to the Hypra range and is available in 16, 32 and 63 A ratings.

## Features:

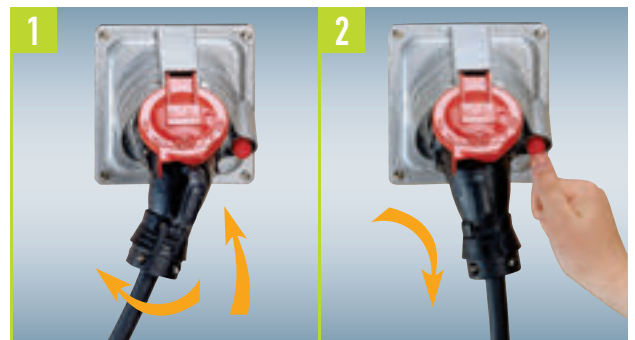
- Combined socket and switch - saving space, cost and installation time
- Unique interlocked load break system - prohibits on load connection or disconnection for maximum safety
- Padlockable cover - for additional security
- Brass contact sleeves - create high quality, reliable connections
- Stainless steel screws - maximum durability



## Simple, safe and unique

The added safety provided by Hypra's load break system prior to disconnection is equivalent to that provided by safety shutters on domestic sockets.

1. Turn the plug to lock in position and connect power
2. Press the isolator button to disconnect power and remove the plug



### TECHNICAL DATA

#### APPROVALS:

BS EN 60309-1, BS EN 60309-2  
Products are interchangeable with other manufacturers' products that meet BS EN 60309-2

#### SELF EXTINGUISHING:

950°C for insulated parts, 650°C for housing

#### OPERATING TEMPERATURE:

-20°C to +100°C

#### PROTECTION:

IP44 with Hypra IP44 straight plug connected  
IP54 with Hypra IP66/67-55 straight plug connected  
IP55 with cover closed or IP66/67-55 angled plug connected

IK09 for plastic products

IK10 for metal products



## Safe and adaptable power supply for TATA steel Colorcoat® PV Facility

Prisinter sockets and Hypra plugs were specified retrospectively for TATA in a facility which requires machinery to be moved on a regular basis. Machines, originally wired directly to Zucchini tap-offs, are now wired into Hypra plugs, and simply connected and disconnected as required under the safety of Prisinter's interlocked load break switch.

Above:  
Hypra Prisinter socket, Hypra angled plug and Zucchini tap-off

## HYPRA PRISINTER - the choice is yours



Panel mounting (plastic and metal options)



Surface mounting (plastic and metal options)

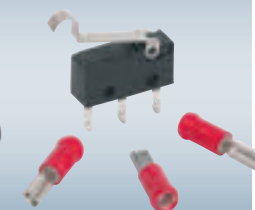
## Related products and accessories



IP44 plugs  
see p. 162 to 167



IP66/67-55 plugs  
see p. 168 to 173



Auxiliary c/o contact work in conjunction with main contacts to provide remote indication and supplementary equipment control  
see p. 156

An innovative answer to safe, secure power connections

# Hypra® Prisinter IP 44/55 - LV 16/32/63 A

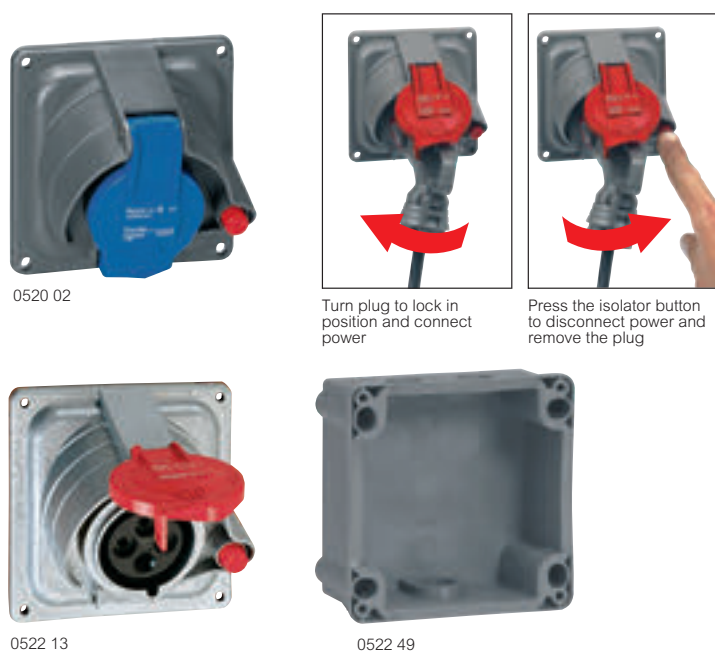
selection chart

HYPRAS® PRISINTER IP 44/55 - LV 16/32/63 A							
<p>Conform to : BS EN 60309-1, BS EN 60309-2, IP 44 when plug inserted IP 54 when used with IP 66/67-55 straight plugs IP 55 with cover closed or used with IP 66/67-55 angled plugs IK 09 (plastic) IK 10 (metal) Self-extinguishing : 960 °C 650 °C for housing Temp. rating : -20 °C to +100 °C</p>		<p>(Back boxes sold separately)</p>		Prisinter			
				Panel mounting sockets	Surface mounting sockets		Auxiliary c/o contact microswitch
LV		METAL	PLASTIC	METAL	PLASTIC		
100 to 130 V 50/60 Hz	16 A	2 P + ⊥	–	0519 10	–	0519 10+ 0520 49	0521 96
	200 to 250 V 50/60 Hz	16 A	2 P + ⊥	–	0520 02	–	0520 02+ 0520 49
3 P + ⊥			–	0520 03	–	0520 03+ 0520 49	0521 96
3 P + N + ⊥			–	0520 04	–	0520 04+ 0522 49	0521 96
200 to 250 V 50/60 Hz	32 A	2 P + ⊥	–	0527 02	–	0527 02+ 0529 49	0521 96
		3 P + ⊥	–	0527 03	–	0527 03+ 0529 49	0521 96
	16 A	3 P + ⊥	0522 13	0522 03	0522 13+ 0520 59	0522 03+ 0520 49	0521 96
		3 P + N + ⊥	0522 14	0522 04	0522 14+ 0529 59	0522 04+ 0522 49	0521 96
380 to 415 V 50/60 Hz	32 A	3 P + ⊥	0529 13	0529 03	0529 13+ 0522 59	0529 03+ 0529 49	0521 96
		3 P + N + ⊥	0529 14	0529 04	0529 14+ 0522 59	0529 04+ 0529 49	0521 96
	63 A	3 P + ⊥	0538 00	0536 03	0538 00+ 0538 09	0536 03+ 0537 49	0521 96
		3 P + N + ⊥	0538 01	0536 04	0538 01+ 0538 09	0536 04+ 0537 49	0521 96

For pack quantities, see opposite and p. 157

# Hypra® Prisinter IP 44/55 - LV 16 A

interlocked switched sockets



0520 02

Turn plug to lock in position and connect power

Press the isolator button to disconnect power and remove the plug



0522 13



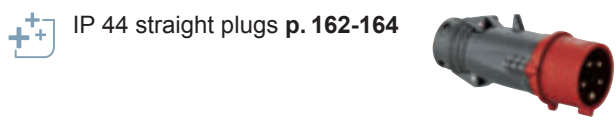
0522 49

Technical information and dimensions p. 158-159  
Conformity to International Standards p. 198

Conform to BS EN 60309-1, BS EN 60309-2  
IP 44 when plug inserted  
IP 54 when used with IP 66/67-55 straight plugs  
IP 55 with cover closed or used with IP 66/67-55 angled plugs  
IK 09 (plastic)  
IK 10 (metal)  
Stainless steel screws  
Brass contacts

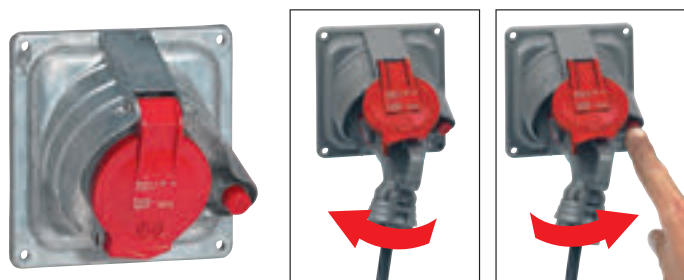
Pack	Cat. Nos.		Prisinter panel mounting sockets 16 A
	Metal	Plastic	Load break disconnect at the push of the button Accepts Ø6 mm padlock with cover closed Terminals accept 1.5 mm <sup>2</sup> to 4 mm <sup>2</sup> rigid cable (BS EN 60309-1 and IEC 60309-1) Possibility to fit 2 auxiliary C/O contacts Cat. No. 0521 96
1		0519 10	<b>100/130 V</b> ~ 2 P + ⊥
1		0520 02	<b>200/250 V</b> ~ 2 P + ⊥
1		0520 03	3 P + ⊥
1		0520 04	3 P + N + ⊥
1	0522 13	0522 03	<b>380/415 V</b> ~ 3 P + ⊥
1	0522 14	0522 04	3 P + N + ⊥

	Cat. Nos.		Surface mounting boxes
	Metal	Plastic	Enable Hypra Prisinter panel mounting sockets to be surface mounted Reversible entry box with 3 x M20 entries with 2 blanking plugs plus rear knockout entries
1	0520 59	0520 49	For 2 P + ⊥ / 3 P + ⊥ sockets
1	0529 59	0522 49	For 3 P + N + ⊥ sockets



## Hypra® Prisinter IP 44/55 - LV 32 A

interlocked switched sockets



0529 13

Turn plug to lock in position and connect power

Press the isolator button to disconnect power and remove the plug



0529 04 + 0529 49

Technical information and dimensions p. 158-159  
Conformity to International Standards p. 198

Conform to BS EN 60309-1, BS EN 60309-2  
IP 44 when plug inserted  
IP 54 when used with IP 66/67-55 straight plugs  
IP 55 with cover closed or used with IP 66/67-55 angled plugs  
IK 09 (plastic)  
IK 10 (metal)  
Stainless steel screws  
Brass contacts

Pack	Cat. Nos.		Prisinter panel mounting sockets 32 A
	Metal	Plastic	Load break disconnect at the push of the button Accepts Ø6 mm padlock with cover closed Terminals accept 2.5 mm <sup>2</sup> to 10 mm <sup>2</sup> rigid cable (BS EN 60309-1 and IEC 60309-1) Possibility to fit 2 auxiliary C/O contacts Cat. No. 0521 96
1		0527 02	<b>200/250 V~</b> 2 P + ⊥
1		0527 03	3 P + ⊥
1	0529 13	0529 03	<b>380/415 V~</b> 3 P + ⊥
1	0529 14	0529 04	3 P + N + ⊥

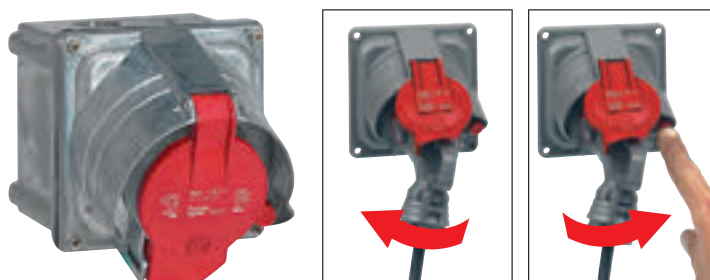
Pack	Cat. Nos.		Surface mounting boxes
1	Metal	Plastic	Enable Hypra Prisinter panel mounting sockets to be surface mounted Reversible entry box with 2 x M25 and 1 x M20 entries with 1 x M25 and 1 x M20 blanking plugs plus rear knockout entries For 2 P + ⊥ / 3 P + ⊥ / 3 P + N + ⊥ sockets
	0522 59	0529 49	

IP 44 straight plugs p. 162-164



## Hypra® Prisinter IP 44/55 - LV 63 A

interlocked switched sockets



0538 00 + 0538 09

Turn plug to lock in position and connect power

Press the isolator button to disconnect power and remove the plug

Technical information and dimensions p. 158-159  
Conformity to International Standards p. 198

Conform to BS EN 60309-1, BS EN 60309-2  
IP 44 when plug inserted  
IP 54 when used with IP 66/67-55 straight plugs  
IP 55 with cover closed or used with IP 66/67-55 angled plugs  
IK 09 (plastic)  
IK 10 (metal)  
Stainless steel screws  
Brass contacts

Pack	Cat. Nos.		Prisinter panel mounting sockets 63 A
	Metal	Plastic	Load break disconnect at the push of the button Accepts 3 x Ø8 mm padlocks with cover closed IP 2X protection against direct contact Terminals accept 6 mm <sup>2</sup> to 25 mm <sup>2</sup> rigid cable Possibility to fit 2 auxiliary C/O contacts Cat. No. 0521 96
1	0538 00	0536 03	<b>380/415 V~</b> 3 P + ⊥
1	0538 01	0536 04	3 P + N + ⊥

Pack	Cat. Nos.		Surface mounting boxes
1	Metal	Plastic	Enable Hypra Prisinter panel mounting sockets to be surface mounted Reversible entry box with 2 x M32 and 1 x M20 entries with 1 x M32 and 1 x M20 blanking plugs For 3 P + ⊥ / 3 P + N + ⊥ sockets
	0538 09	0537 49	

IP 66/67-55 angled and straight plugs p. 169-170



# Hypra® Prisinter IP 44/55 - LV 16/32/63 A

panel mounting interlocked switched sockets

## ■ Technical information

Icc 10 kA according to BS EN 60309-1, BS EN 60309-2, IEC 60309-1 and IEC 60309-2

IP rating according to BS EN 60529 and IEC 60529 :

IP 44 when plug inserted

IP 54 when used with IP 66/67-55 straight plugs

IP 55 with cover closed or used with IP 66/67-55 angled plugs

IK according to BS EN 62262 and IEC 62262 :

IK 09 : Plastic

IK 10 : Metal

Stainless steel screws

Brass contacts

### Resistance to glow wire and dielectric strength

Glow wire :

960° C for live part supports

650° C for other parts

Dielectric strength : 3 000 V 50 Hz

### Temperatures

-20 °C to + 100 °C (+80 °C with auxiliary fitted)

Installation : -20 °C / +40 °C

Use : -20 °C / +100 °C

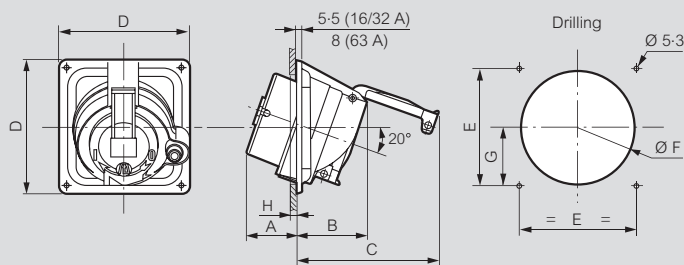
### Hypra Prisinter breaking capacity at 3 x 400 V<sub>~</sub> according to BS EN 60947-1, BS EN 60947-3, IEC 60947-1 and IEC 60947-3 :

Category	16 A	32 A	63 A
AC 1	16 A	32 A	63 A
AC 23	8.4 kW	16.8 kW	33 kW
AC 3	8.4 kW	16.8 kW	33 kW

## ■ Dimensions

### Prisinter panel mounting sockets IP 44/55 - LV 16/32/63 A

(p. 156-157)



	Material	Weight (kg)	A (mm)	B (mm)	C (mm)	D (mm)	E (mm)	F (mm)		G (mm)	H (mm)
								min.	max.		max.
<b>LV 16 A</b>											
2 P + ⊥	Plastic	0.42	46	70	132	115	100	92	98	46	6 to 10
3 P + ⊥	Plastic	0.48	46	70	138	115	100	92	96	46	6 to 10
	Metal	1.33									
3 P + N + ⊥	Plastic	0.57	46	75	156	125	110	102	106	51.5	7
	Metal	1.47									
<b>LV 32 A</b>											
2 P + ⊥	Plastic	0.57	54	77	153	143	125	115	122	58.5	10 to 20
3 P + ⊥	Plastic	0.61	54	77	153	143	125	115	122	58.5	10 to 20
	Metal	1.5									
3 P + N + ⊥	Plastic	0.65	55	79	169	143	125	119	122	58.5	9 to 13
	Metal	1.8									
<b>LV 63 A</b>											
3 P + ⊥	Plastic	0.95	55	99	205	143	125	120	122	59.5	10 to 20
	Metal	1.85									
3 P + N + ⊥	Plastic	0.98	55	99	205	143	125	120	122	59.5	10 to 20
	Metal	2.2									

## ■ Accessories

Auxiliary contacts (-20 °C to +80 °C)

Prisinter sockets can accommodate two c/o auxiliary contacts (late make/early break) Cat. No. 0521 96 p. 156

These may be used to signal to a central control/monitoring station or control a contactor to remove load

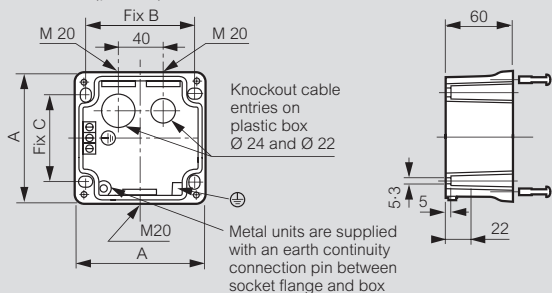
Padlockable cover in closed position

# Hypra® Prisinter IP 44/55

## surface mounting back boxes

### ■ Dimensions

#### LV 16 A (p. 156)

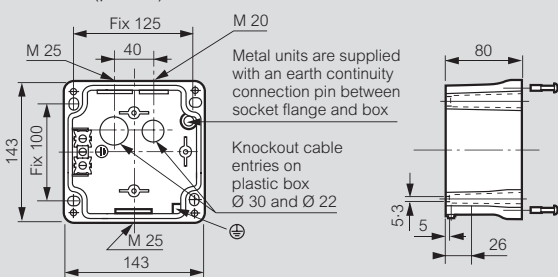


3 x M20 entries with 2 x M20 blanking plugs

Equipped with :  
2 earth terminals inside and 1 external (metal box)  
2 earth terminals inside (plastic box)

	Material	Weight (kg)	A (mm)	B (mm)	C (mm)
2 P + ⊕	Plastic	0.14	115	97	78
3 P + ⊕					
3 P + N + ⊕	Plastic	0.16	125	107	88
	Metal	0.9			

#### LV 32 A (p. 157)

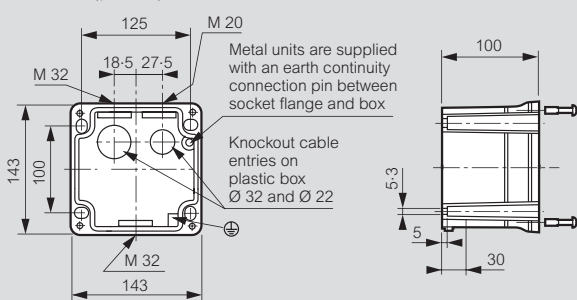


Reversible boxes  
1 x M20 entry with 1 x M20 blanking plug  
2 x M25 entries with 1 x M25 blanking plug

Equipped with :  
2 earth terminals inside and 1 external (metal box)  
1 earth terminal inside (plastic box)

Material	Weight (kg)
Plastic	0.3
Metal	1.7

#### LV 63 A (p. 157)



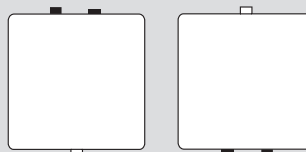
Reversible boxes  
1 x M20 entry with 1 x M20 blanking plug  
2 x M32 entries with 1 x M32 blanking plug  
Equipped with external earth terminal on the metal box

Material	Weight (kg)
Plastic	0.35
Metal	1.75

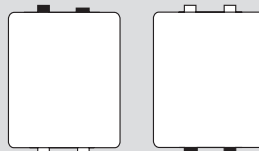
### ■ Box entries

Prisinter boxes can be rotated to aid entry

#### LV 16/32 A



#### LV 63 A





# HYPRA<sup>®</sup>

## plugs and sockets

The Hypra range is aimed at installations where maximum durability is a must... including the nuclear, chemical and process industries.

### The highest levels of protection and reliability

Available in IP44 and IP66/67-55 rated versions and manufactured in Polyamide 6, Hypra plugs and sockets are ideal for use in harsh and demanding environments.

The plastic units are IK09 rated, while the class leading metal units are IK10 rated – the highest rating for impact.

### FEATURES:

- **Integrated cable gland on entire IP66/67-55 range** - providing the highest levels of ingress protection
- **Captive, slotted connection screws** - for fast secure connections
- **Nickel-plated brass pins and contact sleeves** - creating high quality, reliable connections
- **Captive, stainless steel external screws** - maximise durability
- **Double jaw cable clamps** - provide powerful cable fastening
- **Available in 2 ranges** - IP44 and IP66/67-55

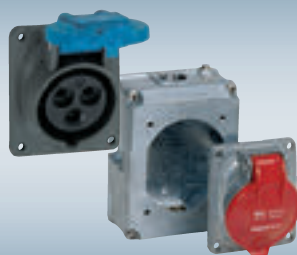


## HYPRA PLUGS AND SOCKETS - options for every application



### PANEL AND SURFACE MOUNTING SOCKETS

CURRENT RATING - 16A, 32A, 63A, 125A  
 VOLTAGES - 20-25V, 20-50V, 110V, 240V, 400V  
 PIN CONFIG - 2P, 3P, 2P+E, 3P+E, 3P+N+E  
 IP RATING - IP44, IP66/67-55



### MOBILE SOCKETS, STRAIGHT AND ANGLED PLUGS

CURRENT RATING - 16A, 32A, 63A, 125A  
 VOLTAGES - 20-25V, 20-50V, 110V, 240V, 400V  
 PIN CONFIG - 2P, 3P, 2P+E, 3P+E, 3P+N+E  
 IP RATING - IP44, IP66/67-55



### APPLIANCE INLETS

CURRENT RATING - 16A, 32A, 63A, 125A  
 VOLTAGES - 20-25V, 20-50V, 110V, 240V, 400V  
 PIN CONFIG - 2P, 3P, 2P+E, 3P+E, 3P+N+E  
 IP RATING - IP44, IP66/67-55



## TECHNICAL DATA

### APPROVALS:

BS EN 60309-1, BS EN 60309-2, BS EN 60529 (IP), BS EN 62262 (IK)

Products are interchangeable with other manufacturers' products that meet BS EN 60309-2

### PROTECTION:

IP44 and IP66/67-55 ranges available  
 IK09 for plastic products  
 IK10 for metal products

### SELF EXTINGUISHING:

850°C for insulated parts, 650°C for housing

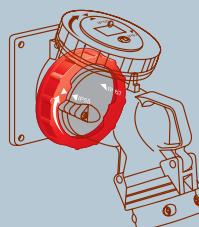
### OPERATING TEMPERATURE:

-50°C to +100°C

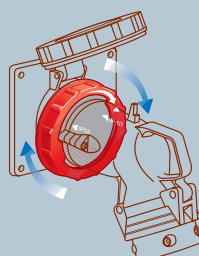
## UNDERSTANDING THE IP66/IP67-55 RATING



IP 55 assured automatically with cover closed without locking ring secured



IP 55 guaranteed with IP 66/67-55 plug inserted and cover in place over spigot on plug



IP 66/67-55 obtained with locking ring secured



# Hypra® plugs and sockets IP 44 - ELV 16 A and LV 16/32/63 A

## selection chart

HYPR A® PLUGS AND SOCKETS IP 44 - ELV 16 A AND LV 16/32/63 A												
Conform to : <b>BS EN 60309-1, BS EN 60309-2, IEC 60309-1 and IEC 60309-2</b> <b>IP 44 according to BS EN 60529 and IEC 60529</b> <b>IK 09 plastic</b> <b>IK 10 metal according to BS EN 62262 and IEC 62262</b> Self-extinguishing : 850 °C for insulated parts 650 °C for housing - conforms to BS EN 60695-2-10 and IEC 60695-2-10 Temp. rating : -50 °C to +100 °C  Technical information and dimensions <b>p. 165-167</b>			PANEL MOUNTING SOCKETS			SURFACE MOUNTING SOCKETS		THROUGH ENTRY SURFACE MOUNTING SOCKETS	MOBILE SOCKETS	STRAIGHT PLUGS	PANEL APPLIANCE INLETS	
						 (Back boxes sold separately)					 (Covers available, see bottom of page)	
ELV			METAL	PLASTIC	MODULAR <sup>1</sup>	METAL	PLASTIC	PLASTIC	PLASTIC	PLASTIC	PLASTIC	
20 to 25 V 50/60 Hz	16 A	2 P	-	0524 01	-	-	0524 01+ 0524 19	-	0524 61	0524 21	-	
		3 P	-	0524 02	-	-	0524 02+ 0524 19	-	0524 62	0524 22	-	
20 to 50 V D.C. ≍	16 A	2 P	-	0524 05	-	-	0524 05+ 0524 19	-	-	0524 25	-	
LV												
100 to 130 V 50/60 Hz	16 A	2 P + ⊥	0519 30	0519 20	0519 19	-	0519 20+ 0520 29	0519 20+ 0520 89	0519 80	0519 40	0519 70	
200 to 250 V 50/60 Hz	16 A	2 P + ⊥	0520 32	0520 22	0520 18	-	0520 22+ 0520 29	0520 22+ 0520 89	0520 82	0520 42	0521 72	
		3 P + ⊥	0520 33	0520 23	0520 19	-	0520 23+ 0522 29	0520 23+ 0522 89	0520 83	0520 43	0520 73	
		3 P + N + ⊥	0520 34	0520 24	-	-	0520 24+ 0522 29	0520 24+ 0522 89	0520 84	0520 44	-	
	32 A	2 P + ⊥	0527 32	-	0527 18	-	0527 18+ 0529 40	0527 18+ 0529 90	0527 82	0527 42	0528 72	
3 P + ⊥		0527 33	-	0527 19	-	0527 19+ 0529 40	0527 19+ 0529 90	0527 83	0527 43	-		
380 to 415 V 50/60 Hz	16 A	3 P + ⊥	0522 33	0522 23	0522 19	0522 33+ 0522 39	0522 23+ 0522 29	0522 23+ 0522 89	0522 83	0522 43	0521 73	
		3 P + N + ⊥	0522 34	0522 24	0522 20	0522 34+ 0522 39	0522 24+ 0522 29	0522 24+ 0522 89	0522 84	0522 44	0521 74	
	32 A	3 P + ⊥	0529 33	-	0529 19	0529 33+ 0529 39	0529 19+ 0529 40	0529 19+ 0529 90	0529 83	0529 43	0528 73	
		3 P + N + ⊥	0529 34	-	0529 20	0529 34+ 0529 39	0529 20+ 0529 40	0529 20+ 0529 90	0529 84	0529 44	0528 74	
	63 A	3 P + ⊥	0538 33	0538 23	-	-	-	-	0538 83	0538 43	0537 73	
		3 P + N + ⊥	0538 34	0538 24	-	-	0537 24	-	0538 84	0538 44	0537 74	

1 : Modular sockets are manufactured from plastic with 70 x 70 mm fixing centres

For pack quantities, p. 163-164

Modular sockets have 70 x 70mm fixing centres across 16 A and 32 A range  
**p. 163-164**



### APPLIANCE INLET COVERS

Conform to :  
**BS EN 60309-1, BS EN 60309-2, IEC 60309-1 and IEC 60309-2**  
 Material : Rubber  
 Self-extinguishing : 650 °C  
 Temp. rating : -20 °C to +40 °C



Dimensions  
**p. 166**

		Pack	Cat. Nos.
16 A	2 P + ⊥	10	0521 25
	3 P + ⊥	5	0521 26
	3 P + N + ⊥	5	0521 27
32 A	2 P + ⊥	5	0521 27
	3 P + ⊥	5	0521 27
	3 P + N + ⊥	5	0527 99
63 A	3 P + ⊥	5	0536 99
	3 P + N + ⊥	5	0536 99

# Hypra® IP 44 - ELV 16 A and LV 16 A

metal and plastic plugs and sockets



0520 22



0522 19



0522 44



0524 61



0520 82



0521 73 + 0522 89



0522 33 + 0522 39

Technical information and dimensions **p. 165-167**  
Conformity to International Standards **p. 198**

Conform to BS EN 60309-1, BS EN 60309-2, IEC 60309-1 and IEC 60309-2  
IP 44 according to BS EN 60529 and IEC 60529  
IK 09 plastic  
IK 10 metal according to BS EN 62262 and IEC 62262  
Self-extinguishing : 850 °C for insulated parts  
650 °C for housing - conforms to BS EN 60695-2-10 and IEC 60695-2-10  
Temp. rating : -50 °C to +100 °C  
Nickel plated brass contacts

Pack	Cat. Nos.		Panel mounting sockets 16 A	
	ELV			
	Metal	Plastic		<b>20 to 25 V<math>\sim</math></b>
5		0524 01	2 P	
1		0524 02	3 P	
				<b>20 to 50 V<math>\equiv</math></b>
1		0524 05	2 P	
	LV			
	Metal	Plastic		<b>100 to 130 V<math>\sim</math></b>
1	0519 30	0519 20	2 P + $\perp$	
				<b>200 to 250 V<math>\sim</math></b>
1   5	0520 32	0520 22	2 P + $\perp$	
1	0520 33	0520 23	3 P + $\perp$	
1	0520 34	0520 24	3 P + N + $\perp$	
				<b>380 to 415 V<math>\sim</math></b>
1   5	0522 33	0522 23	3 P + $\perp$	
1	0522 34	0522 24	3 P + N + $\perp$	
	Plastic modular			<b>100 to 130 V<math>\sim</math></b>
1		0519 19	2 P + $\perp$	
				<b>200 to 250 V<math>\sim</math></b>
5		0520 18	2 P + $\perp$	
1		0520 19	3 P + $\perp$	
				<b>380 to 415 V<math>\sim</math></b>
5		0522 19	3 P + $\perp$	
1		0522 20	3 P + N + $\perp$	

Pack	Cat. Nos.		Mobile sockets 16 A	
	ELV			
	Plastic			<b>20 to 25 V<math>\sim</math></b>
1		0524 61	2 P	
1		0524 62	3 P	
	LV			
	Plastic			<b>100 to 130 V<math>\sim</math></b>
1		0519 80	2 P + $\perp$	
				<b>200 to 250 V<math>\sim</math></b>
1		0520 82	2 P + $\perp$	
1		0520 83	3 P + $\perp$	
1		0520 84	3 P + N + $\perp$	
				<b>380 to 415 V<math>\sim</math></b>
1		0522 83	3 P + $\perp$	
1		0522 84	3 P + N + $\perp$	

Pack	Cat. Nos.		Straight plugs 16 A	
	ELV			
	Plastic			<b>20 to 25 V<math>\sim</math></b>
5		0524 21	2 P	
1		0524 22	3 P	
				<b>20 to 50 V<math>\equiv</math></b>
1		0524 25	2 P	
	LV			
	Plastic			<b>100 to 130 V<math>\sim</math></b>
1		0519 40	2 P + $\perp$	
				<b>200 to 250 V<math>\sim</math></b>
5		0520 42	2 P + $\perp$	
1		0520 43	3 P + $\perp$	
1		0520 44	3 P + N + $\perp$	
				<b>380 to 415 V<math>\sim</math></b>
5		0522 43	3 P + $\perp$	
1		0522 44	3 P + N + $\perp$	

Pack	Cat. Nos.		Panel appliance inlets 16 A	
	LV			
	Plastic		Covers available, see opposite	
				<b>100 to 130 V<math>\sim</math></b>
1		0519 70	2 P + $\perp$	
				<b>200 to 250 V<math>\sim</math></b>
1		0521 72	2 P + $\perp$	
1		0520 73	3 P + $\perp$	
				<b>380 to 415 V<math>\sim</math></b>
1		0521 73	3 P + $\perp$	
1		0521 74	3 P + N + $\perp$	

Pack	Cat. Nos.		Back boxes	
	Metal		<b>Surface mounting boxes</b>	
5		0524 19	For ELV 2 P / 3 P sockets	
5		0520 29	For LV 16 A 2 P + $\perp$ sockets	
5	0522 39	0522 29	For LV 16 A 3 P + $\perp$ / 3 P + N + $\perp$ sockets	
	Plastic		<b>Through entry surface mounting boxes</b>	
1		0520 89	For LV 16 A 2 P + $\perp$ sockets	
5		0522 89	For LV 16 A 3 P + $\perp$ / 3 P + N + $\perp$ sockets	

Pack	Cat. Nos.		Appliance inlet covers	
10		0521 25	For LV 16 A 2 P + $\perp$ appliance inlets	
5		0521 26	For LV 16 A 3 P + $\perp$ appliance inlets	
5		0521 27	For LV 16 A 3 P + N + $\perp$ appliance inlets	

## Hypra® IP 44 - LV 32 A

metal and plastic plugs and sockets



Technical information and dimensions **p. 165-167**  
Conformity to International Standards **p. 198**

Conform to BS EN 60309-1, BS EN 60309-2, IEC 60309-1 and IEC 60309-2  
IP 44 according to BS EN 60529 and IEC 60529  
IK 09 plastic  
IK 10 metal according to BS EN 62262 and IEC 62262  
Self-extinguishing : 850 °C for insulated parts  
650 °C for housing - conforms to BS EN 60695-2-10 and IEC 60695-2-10  
Temp. rating : -50 °C to +100 °C  
Nickel plated brass contacts

Pack	Cat. Nos.		Panel mounting sockets 32 A
1	Metal	Modular	<b>200 to 250 V~</b>
1	0527 32	0527 18	2 P + ⊥
1	0527 33	0527 19	3 P + ⊥
1	0529 33	0529 19	<b>380 to 415 V~</b>
1	0529 34	0529 20	3 P + ⊥
1			3 P + N + ⊥

Pack	Cat. Nos.	Mobile sockets 32 A
1	Plastic	<b>200 to 250 V~</b>
1	0527 82	2 P + ⊥
1	0527 83	3 P + ⊥
1	0529 83	<b>380 to 415 V~</b>
1	0529 84	3 P + ⊥
1		3 P + N + ⊥

Pack	Cat. Nos.	Straight plugs 32 A
1	Plastic	<b>200 to 250 V~</b>
1	0527 42	2 P + ⊥
1	0527 43	3 P + ⊥
1	0529 43	<b>380 to 415 V~</b>
1	0529 44	3 P + ⊥
1		3 P + N + ⊥

Pack	Cat. Nos.	Panel appliance inlets 32 A
1	Plastic	Covers available, see below <b>200 to 250 V~</b>
1	0528 72	2 P + ⊥
1	0528 73	<b>380 to 415 V~</b>
1	0528 74	3 P + ⊥
1		3 P + N + ⊥

Pack	Cat. Nos.	Back boxes
1	Metal	<b>Surface mounting boxes</b>
1	0529 39	For LV 32 A 2 P + ⊥ / 3 P + ⊥ / 3 P + N + ⊥ sockets
1	Plastic	<b>Through entry surface mounting boxes</b>
1	0529 90	For LV 32 A 2 P + ⊥ / 3 P + ⊥ / 3 P + N + ⊥ sockets

Pack	Cat. Nos.	Appliance inlet covers
5	0521 27	For LV 32 A 2 P + ⊥ / 3 P + ⊥ appliance inlets
5	0527 99	For LV 32 A 3 P + N + ⊥ appliance inlets

## Hypra® IP 44 - LV 63 A

metal and plastic plugs and sockets



Technical information and dimensions **p. 165-167**  
Conformity to International Standards **p. 198**

Conform to BS EN 60309-1, BS EN 60309-2, IEC 60309-1 and IEC 60309-2  
IP 44 according to BS EN 60529 and IEC 60529  
IK 09 plastic  
IK 10 metal according to BS EN 62262 and IEC 62262  
Self-extinguishing : 850 °C for insulated parts  
650 °C for housing - conforms to BS EN 60695-2-10 and IEC 60695-2-10  
Temp. rating : -50 °C to +100 °C  
Nickel plated brass contacts. 63 A units have a pilot pin

Pack	Cat. Nos.		Panel mounting sockets 63 A
1	Metal	Plastic	<b>380 to 415 V~</b>
1	0538 33	0538 23	3 P + ⊥
1	0538 34	0538 24	3 P + N + ⊥

Pack	Cat. Nos.	Surface mounting socket 63 A
1	Plastic	<b>380 to 415 V~</b>
1	0537 24	3 P + N + ⊥

Pack	Cat. Nos.	Mobile sockets 63 A
1	Plastic	<b>380 to 415 V~</b>
1	0538 83	3 P + ⊥
1	0538 84	3 P + N + ⊥

Pack	Cat. Nos.	Straight plugs 63 A
1	Plastic	<b>380 to 415 V~</b>
1	0538 43	3 P + ⊥
1	0538 44	3 P + N + ⊥

Pack	Cat. Nos.	Panel appliance inlets 63 A
1	Plastic	<b>380 to 415 V~</b>
1	0537 73	3 P + ⊥
1	0537 74	3 P + N + ⊥

Pack	Cat. Nos.	Appliance inlet cover
5	0536 99	For LV 63 A 3 P + ⊥ / 3 P + N + ⊥ appliance inlets

# Hypra® IP 44 - ELV 16 A and LV 16/32/63 A

metal and plastic plugs and sockets

## Technical information

IP 44 conforms to BS EN 60529 and IEC 60529  
 Icc 10 kA according to BS EN 60309-1 and IEC 60309-1  
 Stainless steel external screws - Nickel plated brass contacts  
 IK according to BS EN 62262 and IEC 62262 : plastic = IK 09  
 metal = IK 10

## Wiring tested according to BS EN 60309-1

Type	Current	Conductors size (mm <sup>2</sup> )	Conductors type
Surface and panel mounting sockets	ELV 16 A	4 to 10	Rigid
	LV 16 A	1.5 to 4	Rigid
	LV 32 A	2.5 to 10	Rigid
	LV 63 A	6 to 25	Rigid
Straight plugs and mobile sockets	ELV 16 A	4 to 10	Flexible
	LV 16 A	1 to 2.5	Flexible
	LV 32 A	2.5 to 6	Flexible
	LV 63 A	6 to 16	Flexible
Panel appliance inlets	ELV 16 A	4 to 10	Rigid
	LV 16 A	1 to 2.5	Rigid
	LV 32 A	2.5 to 6	Rigid
LV 63 A	6 to 16	Rigid	

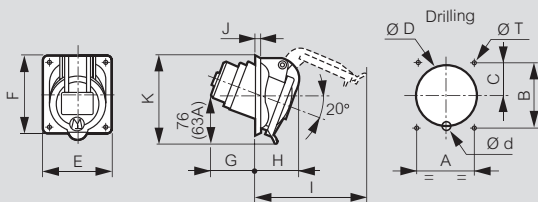
## Tightening torque of connection screws

ELV 16 A : from 1 to 1.2 Nm  
 LV 16 A : from 0.7 to 1 Nm  
 LV 32 A : from 0.7 to 1 Nm  
 LV 63 A : from 2 to 2.2 Nm for Phase and Earth  
 from 0.7 to 1 Nm for pilot

## Dimensions

### Panel mounting sockets IP 44

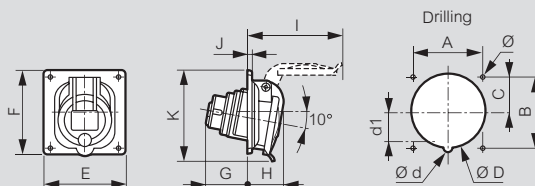
#### ELV 16 A plastic and LV 16/32/63 A plastic and metal (p. 163-164)



	Material	Weight (kg)	Drilling (mm)					Dimensions (mm)									
			A	B	C	ØD	Ød	ØT	E	F	G	H	I	J	K		
<b>ELV 16 A</b>																	
<b>2 P</b>	Plastic	0-120	52	60	30	55	-	4-2	64	72	33	47	94	5-5	78-5		
<b>LV 16 A</b>																	
<b>2 P + ⊥</b>	Plastic	0-110	52	60	28	55	14-5	4-2	64	72	41	40	94	5-5	78-5		
	Metal	0-340															
<b>3 P + ⊥</b>	Plastic	0-140	60	70	31	63-5	14-5	5-2	74	84	44	40	98	5-5	88		
	Metal	0-405															
<b>3 P + N + ⊥</b>	Plastic	0-165	60	70	33	70-6	-	5-2	80	84	44	44	110	5-5	93		
	Metal	0-450															
<b>LV 32 A</b>																	
<b>2 P + ⊥</b>	Metal	0-605	70	80	38	76-2	10	5-2	84	94	50	53	120	5-5	103		
<b>3 P + ⊥</b>	Metal	0-605	70	80	38	76-2	10	5-2	84	94	50	53	120	5-5	103		
<b>3 P + N + ⊥</b>	Metal	0-660	70	80	38	76-2	10	5-2	84	94	52	56	124	5-5	107		
<b>LV 63 A</b>																	
<b>3 P + ⊥</b>	Plastic	0-640	77	85	-	92	-	6-5	106	106	98	70	160	6	129		
	Metal	1-000															
<b>3 P + N + ⊥</b>	Plastic	0-700	77	85	-	92	-	6-5	106	106	98	70	160	6	129		
	Metal	1-200															

## Panel mounting sockets IP 44

### LV 16/32 A plastic with modular fixings (p. 163-164)

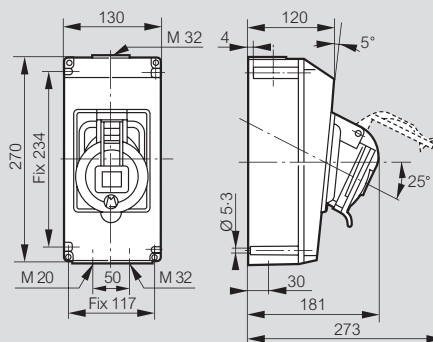


	Weight (kg)	Drilling (mm)					Dimensions (mm)									
		A	B	C	ØD	Ød	d1	E	F	G	H	I	J	K	Ø	
<b>LV 16 A</b>																
<b>2 P + ⊥</b>	0-110	70	70	35	76-2	-	-	84	84	37	36	89	4-5	88	4-2	
<b>3 P + ⊥</b>	0-140	70	70	35	76-2	-	-	84	84	43	36	97	4-5	89	4-2	
<b>3 P + N + ⊥</b>	0-165	70	70	35	76-2	-	-	84	84	43	37	106	4-5	91	4-2	
<b>LV 32 A</b>																
<b>2 P + ⊥</b>	0-220	70	70	35	76-2	-	-	84	94	54	45	117	4-5	100	4-2	
<b>3 P + ⊥</b>	0-220	70	70	35	76-2	-	-	84	94	54	45	117	4-5	100	4-2	
<b>3 P + N + ⊥</b>	0-255	70	70	35	76-2	8	36	84	94	54	46	125	4-5	102	4-2	

## Surface mounting sockets IP 44

### LV 63 A (p. 164)

Boxes can be rotated to aid entry

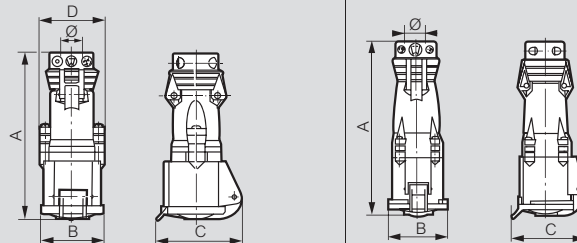


	Material	Weight (kg)
<b>63 A</b>		
<b>3 P + ⊥</b>	Plastic	1-50

## Mobile sockets IP 44

### ELV 16 A, LV 16/32 A (p. 163-164)

### LV 63 A<sup>1</sup> (p. 164)



	Material	Weight (kg)	Dimensions (mm)				Ø Clamping and grip (mm)
			A	B	C	D	
<b>ELV 16 A</b>							
<b>2 P</b>	Plastic	0-190	148	54-5	74	55	8-5 to 22
<b>LV 16 A</b>							
<b>2 P + ⊥</b>	Plastic	0-170	147	54-5	74	55	8 to 15
<b>3 P + ⊥</b>	Plastic	0-200	151	61-5	81	60	8 to 15
<b>3 P + N + ⊥</b>	Plastic	0-245	172	69-5	90	66	10 to 18
<b>LV 32 A</b>							
<b>2 P + ⊥</b>	Plastic	0-300	177	71	93	70-5	10 to 18
<b>3 P + ⊥</b>	Plastic	0-300	177	71	93	70-5	12 to 22
<b>3 P + N + ⊥</b>	Plastic	0-350	183	77-5	100	77	12 to 22
<b>LV 63 A</b>							
<b>3 P + ⊥</b>	Plastic	0-770	273	96	119	-	18-5 to 29
<b>3 P + N + ⊥</b>	Plastic	0-830	273	96	119	-	20-5 to 32

1 : Wiring diagram for 63 A shown on p. 167

# Hypra® IP 44 - ELV 16 A and LV 16/32/63 A

metal and plastic plugs and sockets (continued)

# Hypra® IP 44 - ELV 16 A and LV 16/32 A

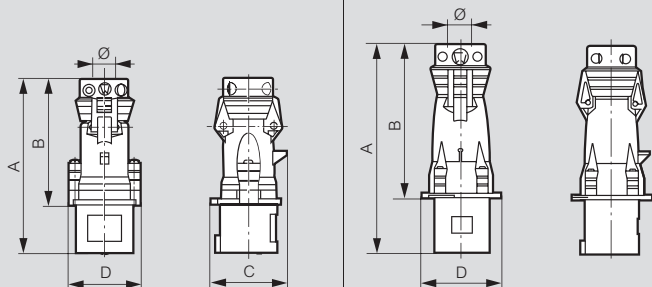
surface mounting back boxes

## ■ Dimensions (continued)

### Straight plugs IP 44

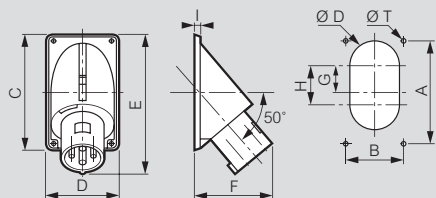
ELV 16 A, LV 16/32 A (p. 163-164)

LV 63 A (p. 164)



	Material	Weight (kg)	Dimensions (mm)				Ø Clamping and grip (mm)
			A	B	C	D	
<b>ELV 16 A</b>							
2 P + ⊥	Plastic	0-180	142	107	62	55	8-5 to 22
<b>LV 16 A</b>							
2 P + ⊥	Plastic	0-150	135	100	57	55	8 to 15
3 P + ⊥	Plastic	0-175	139	103	65	60	8 to 15
3 P + N + ⊥	Plastic	0-210	154	118	73	66	10 to 18
<b>LV 32 A</b>							
2 P + ⊥	Plastic	0-260	164	119	78	70-5	10 to 18
3 P + ⊥	Plastic	0-260	164	119	78	70-5	12 to 22
3 P + N + ⊥	Plastic	0-300	170	125	86	77	12 to 22
<b>LV 63 A</b>							
3 P + ⊥	Plastic	0-640	255	188-5	-	102	18-5 to 29
3 P + N + ⊥	Plastic	0-700	255	188-5	-	102	20-5 to 32

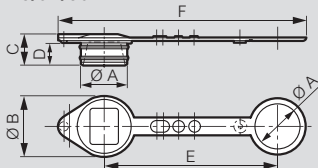
### Panel appliance inlets IP 44<sup>1</sup> (p. 163-164)



	Material	Weight (kg)	Drilling (mm)				Dimensions (mm)														
			A	B	ØT	ØD	G	H	C	D	E	F	I								
<b>LV 16 A</b>																					
2 P + ⊥	Plastic	0-140	94	62	4-5	40	-	-	104	72	121	78	6								
3 P + ⊥	Plastic	0-160	109	83	4-5	40	-	-	120	94	135	86	6								
3 P + N + ⊥	Plastic	0-190	109	83	4-5	40	-	-	120	94	139	86	6								
<b>LV 32 A</b>																					
2 P + ⊥	Plastic	0-280	149	90	5-5	40	-	-	160	101	176	111	6								
3 P + ⊥	Plastic	0-280	149	90	5-5	40	-	-	160	101	176	111	6								
3 P + N + ⊥	Plastic	0-320	149	90	5-5	40	-	-	160	101	174	108	6								
<b>LV 63 A</b>																					
3 P + ⊥	Plastic	0-630	163	93	6-5	80	42	62	183	113	221	120	8								
3 P + N + ⊥	Plastic	0-690	163	93	6-5	80	42	62	183	113	221	120	8								

### Appliance inlet covers (p. 163-164)

16/32/63 A



Cat. Nos.	Product	Ø A (mm)	Ø B (mm)	C (mm)	D (mm)	E (mm)	F (mm)
0521 25	16 A - 2 P + ⊥	38	50	26	18	140	200
0521 26	16 A - 3 P + ⊥	43	55	26	18	150	215
0521 27	16 A - 3 P + N + ⊥ 32 A - 2 P + ⊥, 3 P + ⊥	50	62	26	18	160	232
0527 99	32 A - 3 P + N + ⊥	56	68	26	18	167	248
0536 99	63 A - 3 P + ⊥, 3 P + N + ⊥	62	74	26	18	205	290

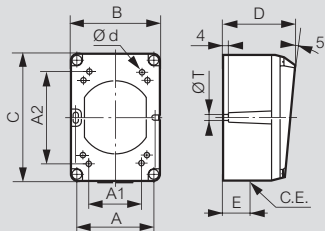
1 : Wiring diagram for 63 A shown on p. 167

## ■ Dimensions

Reversible boxes for surface mounting sockets

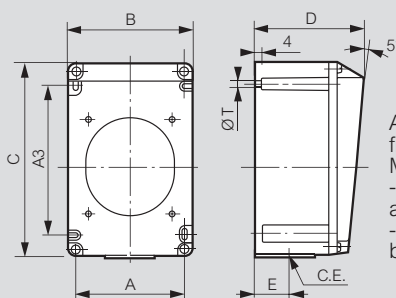
Boxes can be rotated to aid entry

ELV 16 A, LV 16 A (p. 163)



A1 and A2 : optional blind fixing points  
Metal boxes are equipped with :  
- 2 internal linked earth terminals  
and 1 external earth terminal  
- 1 tulip earth pin connection  
between base and cover

LV 32 A (p. 164)



A1 and A2 : optional blind fixing points  
Metal boxes are equipped with :  
- 2 internal linked earth terminals  
and 1 external earth terminal  
- 1 tulip earth pin connection  
between base and cover

Back boxes → Panel mounting sockets ↓	Material	Weight (kg)	Fixings (mm)				Dimensions (mm)					C.E.	
			A1	A2	Ød	A	A3	ØT	B	C	D	E	
<b>ELV 16 A/32 A</b>													
2 P	Plastic	0-115	51	68	4-2	64	-	5-3	74	106	58	20	M25
<b>LV 16 A</b>													
2 P + ⊥	Plastic	0-115	51	68	4-2	64	-	5-3	74	106	58	20	M20
3 P + ⊥	Plastic	0-160	68	68	4-2	85	-	5-3	96	122	60	22	M20
	Metal	0-520											
3 P + N + ⊥	Plastic	0-160	68	68	4-2	85	-	5-3	96	122	60	22	M20
	Metal	0-520											
<b>LV 32 A</b>													
2 P + ⊥	Plastic	0-340	-	-	-	90	125	5-3	102	162	90	26	M25
	Metal	0-910											
3 P + ⊥	Plastic	0-340	-	-	-	90	125	5-3	102	162	90	26	M25
	Metal	0-910											
3 P + N + ⊥	Plastic	0-340	-	-	-	90	125	5-3	102	162	90	26	M25
	Metal	0-910											

# Hypra® IP 44 - LV 16/32 A

through entry surface mounting boxes

# Hypra® IP 44 - LV 63 A

pilot pin connection

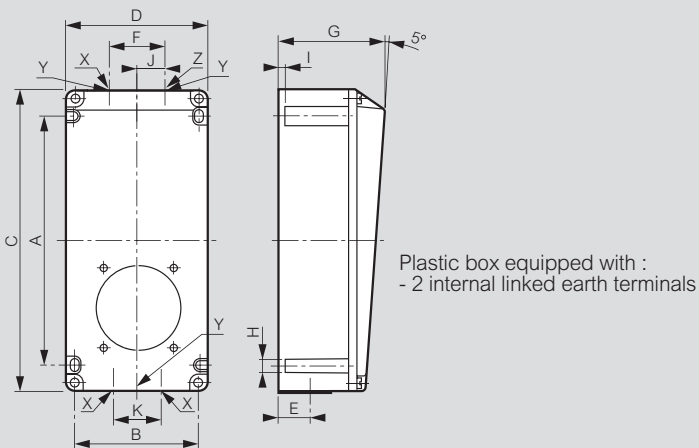
### Technical information

IK 09 (plastic) according to BS EN 62262 and IEC 62262  
 Contacts : nickel plated brass with stainless steel connection pins

### Dimensions

Reversible boxes for surface mounting

LV 16 to 32 A (p. 163-164)

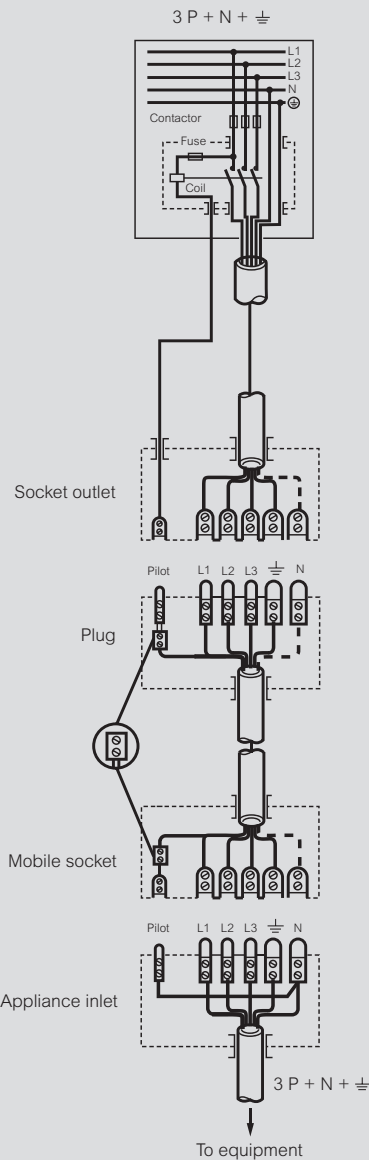


Back boxes → Panel mounting sockets ↓	Material	Weight (kg)	Fixings (mm)			Dimensions (mm)													
			A	B	H	C	D	E	F	G	I	J	K	X	Y	Z			
<b>16 A</b>																			
<b>2 P + ⊕</b>	Plastic	0.330	145	74	5.3	182	86	22	34	75	4	-	-	-	M20	-			
<b>3 P + ⊕</b>	Plastic	0.330	145	74	5.3	182	86	22	34	75	4	-	-	-	M20	-			
<b>3 P + N + ⊕</b>	Plastic	0.330	145	74	5.3	182	86	22	34	75	4	-	-	-	M20	-			
<b>32 A</b>																			
<b>2 P + ⊕</b>	Plastic	0.670	234	117	5.3	270	130	30	50	110	4	-	-	-	M25	-			
<b>3 P + ⊕</b>	Plastic	0.670	234	117	5.3	270	130	30	50	110	4	-	-	-	M25	-			
<b>3 P + N + ⊕</b>	Plastic	0.670	234	117	5.3	270	130	30	50	110	4	-	-	-	M25	-			

Note : Through entry boxes provide extra wiring space but not looping terminals

### Example of 63 A 3 P + ⊕ and 3 P + N + ⊕ pilot pin connection

The pilot pin enables the load to be removed prior to the separation of the phase pins, when the circuit is routed via a contactor



The pilot pin connection accepts 2.5-6 mm<sup>2</sup> flexible or up to 10 mm<sup>2</sup> rigid conductor. It is the small centre pin in the connection

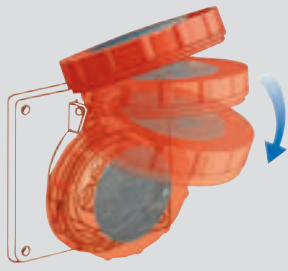
### Pilot cabling

	63 A	Conductors type
Plugs and mobile sockets	2.5 to 6	Flexible
Surface and panel mounting sockets	2.5 to 10	Rigid

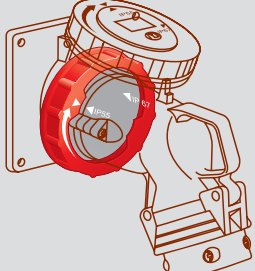
HYPRAS® PLUGS AND SOCKETS IP 66/67-55 - LV 16/32/63/125 A										
<p>Conform to : BS EN 60309-1, BS EN 60309-2, IEC 60309-1 and IEC 60309-2 IP according to BS EN 60529 and IEC 60529 IK 09 Self-extinguishing : 850 °C for insulated parts 650 °C for housing Stainless steel external screws Temp. rating : -50 °C to +100 °C 63/125 A units have a pilot pin</p> <p> Technical information and dimensions p. 171-173</p>	PANEL MOUNTING SOCKETS		SURFACE MOUNTING SOCKETS		THROUGH ENTRY SURFACE MOUNTING SOCKETS	MOBILE SOCKETS	STRAIGHT PLUGS	ANGLED PLUGS		
	inclined outlets	modular <sup>1</sup> with single fixing centres	(Back boxes sold separately)							
LV										
100 to 130 V 50/60 Hz	16 A	2P + ⊥	0511 25	-	0511 25 + 0520 29	0511 25 + 0520 89	0511 75	0511 55	-	
200 to 250 V 50/60 Hz	16 A	2P + ⊥	0511 26	0511 46	0511 26 + 0520 29	0511 26 + 0520 89	0511 76	0511 56	0511 06	
	32 A	2P + ⊥	-	0530 46	0530 46 + 0529 40	0530 46 + 0529 90	0530 76	0530 56	0530 06	
380 to 415 V 50/60 Hz	16 A	3P + ⊥	0511 30	0511 50	0511 30 + 0522 29	0511 30 + 0522 89	0511 80	0511 60	0511 10	
		3P + N + ⊥	0511 31	0511 51	0511 31 + 0522 29	0511 31 + 0522 89	0511 81	0511 61	0511 11	
	32 A	3P + ⊥	-	0530 50	0530 50 + 0529 40	0530 50 + 0529 90	0530 80	0530 60	0530 10	
		3P + N + ⊥	-	0530 51	0530 51 + 0529 40	0530 51 + 0529 90	0530 81	0530 61	0530 11	
380 to 415 V 50/60 Hz	63 A	3P + ⊥	0594 27	-	0594 37	-	0594 87	0594 47	-	
		3P + N + ⊥	0594 28	-	0594 38	-	0594 88	0594 48	-	
	125 A	3P + ⊥	0595 12	-	0595 02	-	0595 32	0595 22	-	
		3P + N + ⊥	0595 13	-	0595 03	-	0595 33	0595 23	-	

1 : 70 x 70 mm fixing centres

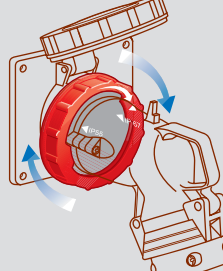
**Complete range from 16 A to 125 A : IP 55 (minimum) guaranteed**



**IP 55** assured automatically with cover flap down without locking ring secured



**IP 55** guaranteed with IP 66/67-55 plug inserted and cover in place over spigot on plug



**IP 66/67-55** obtained with locking ring secured

For pack quantities, p. 169-170

Modular sockets have 70 x 70mm fixing centres across 16 A and 32 A range  
p. 169-170



# Hypra® IP 66/67-55 - LV 16 A

## plastic plugs and sockets



Technical information and dimensions **p. 171-173**  
 Conformity to International Standards **p. 198**

Conform to BS EN 60309-1, BS EN 60309-2, IEC 60309-1 and IEC 60309-2  
 IP according to BS EN 60529 and IEC 60529  
 IK 09

Self-extinguishing : 850 °C for insulated parts, 650 °C for housing  
 Stainless steel external screws - Nickel plated brass contacts  
 Temp. rating : -50 °C to +100 °C

Pack	Cat. Nos.		<b>Panel mounting sockets 16 A</b>
1	Plastic	0511 25	<b>100 to 130 V~</b> 2 P + ⊥
			<b>200 to 250 V~</b> 2 P + ⊥
	Modular	0511 46	<b>380 to 415 V~</b> 3 P + ⊥
5   1	0511 26	0511 46	<b>380 to 415 V~</b> 3 P + N + ⊥
1	0511 30	0511 50	3 P + ⊥
1	0511 31	0511 51	3 P + N + ⊥

Pack	Cat. Nos.	<b>Mobile sockets 16 A</b>
1	0511 75	<b>100 to 130 V~</b> 2 P + ⊥
1	0511 76	<b>200 to 250 V~</b> 2 P + ⊥
1	0511 80	<b>380 to 415 V~</b> 3 P + ⊥
1	0511 81	3 P + N + ⊥

Pack	Cat. Nos.	<b>Straight plugs 16 A</b>
1	0511 55	<b>100 to 130 V~</b> 2 P + ⊥
1	0511 56	<b>200 to 250 V~</b> 2 P + ⊥
5	0511 60	<b>380 to 415 V~</b> 3 P + ⊥
5	0511 61	3 P + N + ⊥

Pack	Cat. Nos.	<b>Angled plugs 16 A</b>
1	0511 06	<b>200 to 250 V~</b> 2 P + ⊥
1	0511 10	<b>380 to 415 V~</b> 3 P + ⊥
1	0511 11	3 P + N + ⊥

Pack	Cat. Nos.	<b>Back boxes</b>
<b>Surface mounting boxes</b>		
5	0520 29	For LV 16 A 2 P + ⊥ sockets
5	0522 29	For LV 16 A 3 P + ⊥ / 3 P + N + ⊥ sockets
<b>Through entry surface mounting boxes</b>		
1	0520 89	For LV 16 A 2 P + ⊥ sockets
5	0522 89	For LV 16 A 3 P + ⊥ / 3 P + N + ⊥ sockets



## Hypra® IP 66/67-55 - LV 32 A

plastic plugs and sockets



0530 50 + 0529 40

Technical information and dimensions **p. 171-173**  
 Conformity to International Standards **p. 198**

Conform to BS EN 60309-1, BS 60309-2, IEC 60309-1 and IEC 60309-2  
 IP according to BS EN 60529 and IEC 60529

IK 09  
 Self-extinguishing : 850 °C for insulated parts, 650 °C for housing  
 Stainless steel external screws - Nickel plated brass contacts  
 Temp. rating : -50 °C to +100 °C

Pack	Cat. Nos.	Panel mounting sockets (modular) 32 A
1	Modular 0530 46	200 to 250 V~ 2 P + ⊥
1	0530 50	380 to 415 V~ 3 P + ⊥
1	0530 51	3 P + N + ⊥

Pack	Cat. Nos.	Mobile sockets 32 A
1	0530 76	200 to 250 V~ 2 P + ⊥
1	0530 80	380 to 415 V~ 3 P + ⊥
1	0530 81	3 P + N + ⊥

Pack	Cat. Nos.	Straight plugs 32 A
1	0530 56	200 to 250 V~ 2 P + ⊥
1	0530 60	380 to 415 V~ 3 P + ⊥
1	0530 61	3 P + N + ⊥

Pack	Cat. Nos.	Angled plugs 32 A
1	0530 06	200 to 250 V~ 2 P + ⊥
1	0530 10	380 to 415 V~ 3 P + ⊥
1	0530 11	3 P + N + ⊥

Pack	Cat. Nos.	Back boxes
1	0529 40	<b>Surface mounting boxes</b> For LV 32 A 2 P + ⊥ / 3 P + ⊥ / 3 P + N + ⊥ sockets
1	0529 90	<b>Through entry surface mounting boxes</b> For LV 32 A 2 P + ⊥ / 3 P + ⊥ / 3 P + N + ⊥ sockets

## Hypra® IP 66/67-55 - LV 63 and 125 A

plastic plugs and sockets



0594 27



0595 32

Technical information and dimensions **p. 171-173**  
 Conformity to International Standards **p. 198**

Conform to BS EN 60309-1, BS 60309-2, IEC 60309-1 and IEC 60309-2  
 IP according to BS EN 60529 and IEC 60529

IK 09  
 Self-extinguishing : 850 °C for insulated parts, 650 °C for housing  
 Stainless steel external screws - Nickel plated brass contacts  
 Temp. rating : -50 °C to +100 °C  
 LV 63 A and 125 A have a pilot pin

Pack	Cat. Nos.	Panel mounting sockets 63 and 125 A
1	63 A   125 A 0594 27   0595 12	380 to 415 V~ 3 P + ⊥
1	0594 28   0595 13	3 P + N + ⊥

Pack	Cat. Nos.	Surface mounting sockets 63 and 125 A
1	63 A   125 A 0594 37   0595 02	380 to 415 V~ 3 P + ⊥
1	0594 38   0595 03	3 P + N + ⊥

Pack	Cat. Nos.	Mobile sockets 63 and 125 A
1	63 A   125 A 0594 87   0595 32	380 to 415 V~ 3 P + ⊥
1	0594 88   0595 33	3 P + N + ⊥

Pack	Cat. Nos.	Straight plugs 63 and 125 A
1	63 A   125 A 0594 47   0595 22	380 to 415 V~ 3 P + ⊥
1	0594 48   0595 23	3 P + N + ⊥

# Hypra® IP 66/67-55 - LV 16/32/63/125 A

plastic plugs and sockets

## Technical information

IP 66/67-55 conforms to BS EN 60529 and IEC 60529  
Icc 10 kA according to BS EN 60309-1 and IEC 60309-1  
Stainless steel external screws - Nickel plated brass contacts  
IK according to BS EN 62262 and IEC 62262 : plastic = IK 09

## Wiring tested according to BS EN 60309-1

Type	Current	Conductors size (mm <sup>2</sup> )	Conductors type
Plugs and mobile sockets	LV 16 A	1 to 2.5	Flexible
	LV 32 A	2.5 to 6	Flexible
	LV 63 A	6 to 16	Flexible
	LV 125 A	16 to 50	Flexible
Panel and surface mounting sockets	LV 16 A	1.5 to 4	Rigid
	LV 32 A	2.5 to 10	Rigid
	LV 63 A	6 to 25	Rigid
	LV 125 A	25 to 70	Rigid

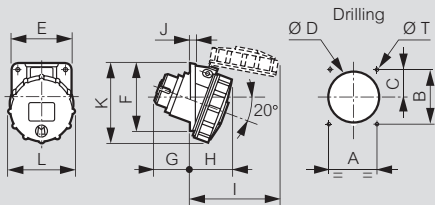
## Tightening torque of connection screws

LV 16 A : from 0.7 to 1 Nm  
LV 32 A : from 0.7 to 1 Nm  
LV 63 A : from 2 to 2.2 Nm for Phase and Earth  
from 0.7 to 1 Nm for pilot  
LV 125 A : from 3 to 4 Nm for Phase and Earth  
from 0.7 to 1 Nm for pilot

## Dimensions

### Panel mounting sockets IP 66/67-55

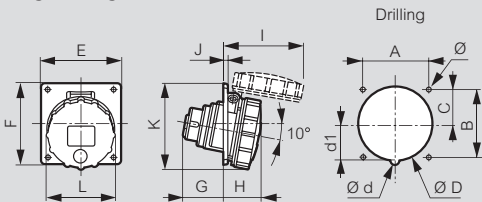
#### LV 16 A (p. 169)



	Weight (kg)	Drilling (mm)					Dimensions (mm)									
		A	B	C	ØD	ØT	E	F	G	H	I	J	K	L		
<b>LV 16 A</b>																
<b>2 P + ⊕</b>	0.140	52	60	33	55	4.2	64	72	40	45	91	5.5	87	72.5		
<b>3 P + ⊕</b>	0.165	60	70	39	63.5	5.2	74	84	41	48	102	5.5	96	81		
<b>3 P + N + ⊕</b>	0.195	60	70	37	70.6	5.2	80	84	42	50	106	5.5	96	86.5		

#### LV 16/32 A with modular fixings (p. 169-170)

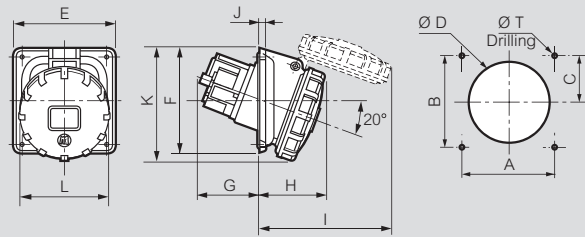
Single fixing centres



	Weight (kg)	Drilling (mm)							Dimensions (mm)									
		A	B	C	ØD	Ød	d1	E	F	G	H	I	J	K	L	Ø		
<b>LV 16 A</b>																		
<b>2 P + ⊕</b>	0.140	70	70	35	76.2	-	-	84	84	42	39	83	4.5	90	72.5	4.2		
<b>3 P + ⊕</b>	0.165	70	70	35	76.2	-	-	84	84	43	41	98	4.5	93	81	4.2		
<b>3 P + N + ⊕</b>	0.195	70	70	35	76.2	-	-	84	84	43	41	99	4.5	91	86.5	4.2		
<b>LV 32 A</b>																		
<b>2 P + ⊕</b>	0.240	70	70	35	76.2	-	-	84	94	54	50	113	4.5	101	94.5	4.2		
<b>3 P + ⊕</b>	0.240	70	70	35	76.2	-	-	84	94	54	50	113	4.5	101	94.5	4.2		
<b>3 P + N + ⊕</b>	0.270	70	70	35	76.2	8	36	84	94	54	51	120	4.5	103	101	4.2		

### Panel mounting sockets IP 66/67-55

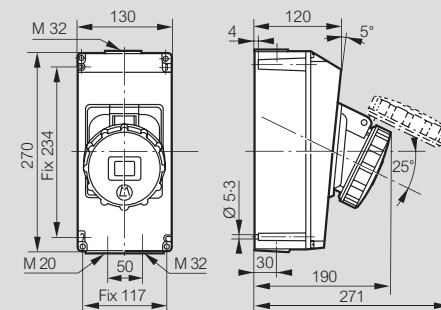
#### LV 63/125 A (p. 170)



	Weight (kg)	Drilling (mm)					Dimensions (mm)									
		A	B	C	ØD	ØT	E	F	G	H	I	J	K	L		
<b>LV 63 A</b>																
<b>3 P + ⊕</b>	0.71	77	85	42.5	92	6.5	106	106	98	79	158	6	127	113.5		
<b>3 P + N + ⊕</b>	0.77	77	85	42.5	92	6.5	106	106	98	79	158	6	127	113.5		
<b>LV 125 A</b>																
<b>3 P + ⊕</b>	1.40	124	124	62	120	6.5	146	146	84	93	182	8	157	131		
<b>3 P + N + ⊕</b>	1.55	124	124	62	120	6.5	146	146	84	93	182	8	157	131		

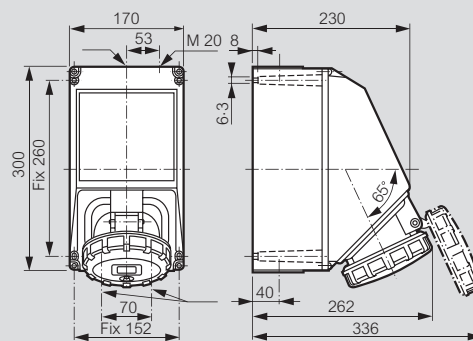
### Surface mounting sockets IP 66/67-55

#### LV 63 A (p. 170)



	Weight (kg)
<b>LV 63 A</b>	
<b>3 P + ⊕</b>	1.65
<b>3 P + N + ⊕</b>	1.70

#### LV 125 A (p. 170)



	Weight (kg)
<b>LV 125 A</b>	
<b>3 P + ⊕</b>	3.5
<b>3 P + N + ⊕</b>	3.7

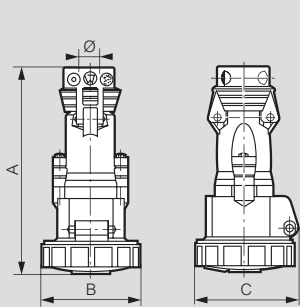
# Hypra® IP 66/67-55 - LV 16/32/63/125 A

plastic plugs and sockets (continued)

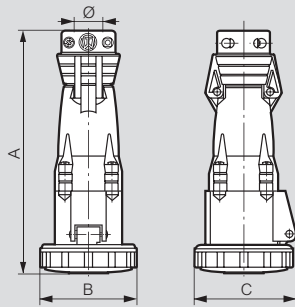
## ■ Dimensions (continued)

### Mobile sockets IP 66/67-55

LV 16/32 A (p. 169-170)

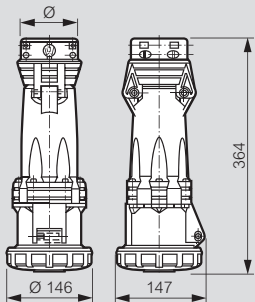


LV 63 A<sup>1</sup> (p. 170)



	Material	Weight (kg)	Dimensions (mm)			Ø Clamping and grip (mm)
			A	B	C	
<b>LV 16 A</b>						
2 P + ⊥	Plastic	0-180	150	72-5	75-5	8 to 15
3 P + ⊥	Plastic	0-215	154	81	86	8 to 15
3 P + N + ⊥	Plastic	0-275	189	86-5	89	10 to 18
<b>LV 32 A</b>						
2 P + ⊥	Plastic	0-320	179	94-5	99	10 to 18
3 P + ⊥	Plastic	0-320	179	94-5	99	12 to 22
3 P + N + ⊥	Plastic	0-375	185	101	106	12 to 22
<b>LV 63 A</b>						
3 P + ⊥	Plastic	0-850	278	113-5	119	18-5 to 29
3 P + N + ⊥	Plastic	0-910	278	113-5	119	20-5 to 32

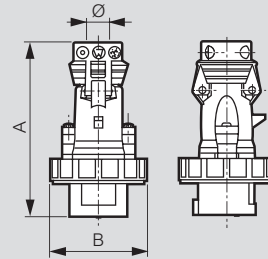
LV 125 A<sup>1</sup> (p. 170)



	Weight (kg)	Ø Clamping and grip (mm)
<b>LV 125 A</b>		
3 P + ⊥	1-8	24 to 48
3 P + N + ⊥	2-0	28 to 48

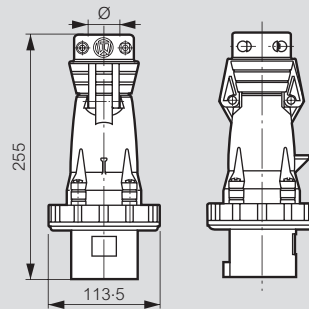
## Straight plugs IP 66/67-55

LV 16/32 A (p. 169-170)



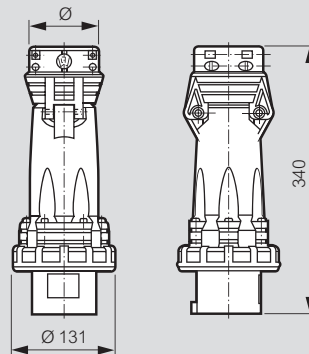
	Weight (kg)	A (mm)	B (mm)	Ø Clamping and grip (mm)
<b>LV 16 A</b>				
2 P + ⊥	0-165	135	72-5	8 to 15
3 P + ⊥	0-195	139	81	8 to 15
3 P + N + ⊥	0-220	154	86-5	10 to 18
<b>LV 32 A</b>				
2 P + ⊥	0-280	164	94-5	10 to 18
3 P + ⊥	0-280	164	94-5	12 to 22
3 P + N + ⊥	0-325	170	101	12 to 22

LV 63 A (p. 170)



	Weight (kg)	Ø Clamping and grip (mm)
<b>LV 63 A</b>		
3 P + ⊥	0-680	18-5 to 29
3 P + N + ⊥	0-750	20-5 to 32

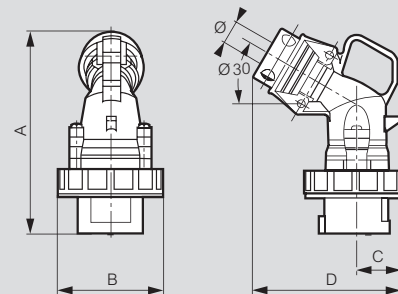
LV 125 A (p. 170)



	Weight (kg)	Ø Clamping and grip (mm)
<b>LV 125 A</b>		
3 P + ⊥	1-54	24 to 48
3 P + N + ⊥	1-7	28 to 48

## Angled plugs IP 66/67-55

LV 16/32 A (p. 169-170)



	Weight (kg)	Dimensions (mm)				Ø Clamping and grip (mm)
		A	B	C	D	
<b>LV 16 A</b>						
2 P + ⊥	0-165	136	72-5	29-5	100	8 to 15
3 P + ⊥	0-195	141	81	33-5	105	8 to 15
3 P + N + ⊥	0-220	150	86-5	37-5	114	10 to 18
<b>LV 32 A</b>						
2 P + ⊥	0-280	161	94-5	39-5	116	10 to 18
3 P + ⊥	0-280	161	94-5	39-5	116	12 to 22
3 P + N + ⊥	0-325	167	101	44-5	122	12 to 22

1 : Wiring diagram for 63 A and 125 A shown on p. 173

# Hypra® IP 66/67-55 - LV 16/32/63 A

surface mounting and through entry back boxes

# Hypra® IP 66/67-55 - LV 63 and 125 A

pilot pin connection

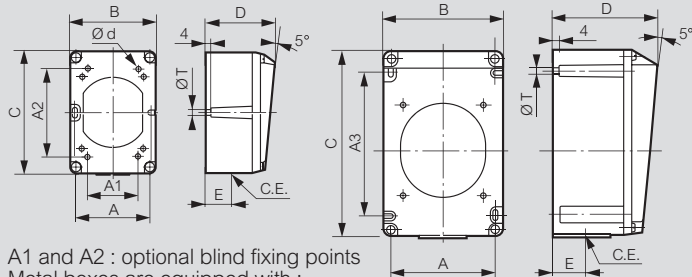
## ■ Dimensions

### Surface mounting boxes

Reversible boxes for surface mounting sockets  
Boxes can be rotated to aid entry

LV 16 A (p. 169)

LV 32 A (p. 170)



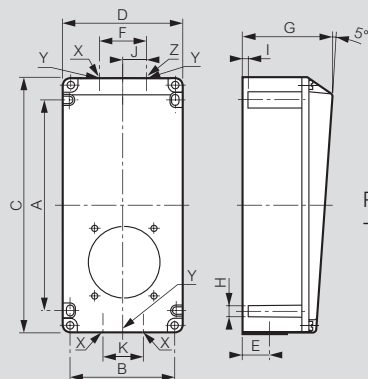
A1 and A2 : optional blind fixing points  
Metal boxes are equipped with :  
- 2 internal linked earth terminals and 1 external earth terminal  
- 1 tulip earth pin connection between base and cover

Back boxes → Panel mounting sockets ↓	Material	Weight (kg)	Fixings (mm)					Dimensions (mm)					C.E.
			A1	A2	ød	A	A3	ØT	B	C	D	E	
<b>LV 16 A</b>													
2 P + ⊕	Plastic	0.115	51	68	4.2	64	-	5.3	74	106	58	20	M20
3 P + ⊕	Plastic	0.160	68	68	4.2	85	-	5.3	96	122	60	22	M20
3 P + N + ⊕	Plastic	0.160	68	68	4.2	85	-	5.3	96	122	60	22	M20
<b>LV 32 A</b>													
2 P + ⊕ / 3 P + ⊕	Plastic	0.340	-	-	-	90	125	5.3	102	162	90	26	M25
3 P + N + ⊕													

### Through entry surface mounting boxes

Reversible boxes for surface mounting through entry sockets

LV 16 to 63 A (p. 169-170)



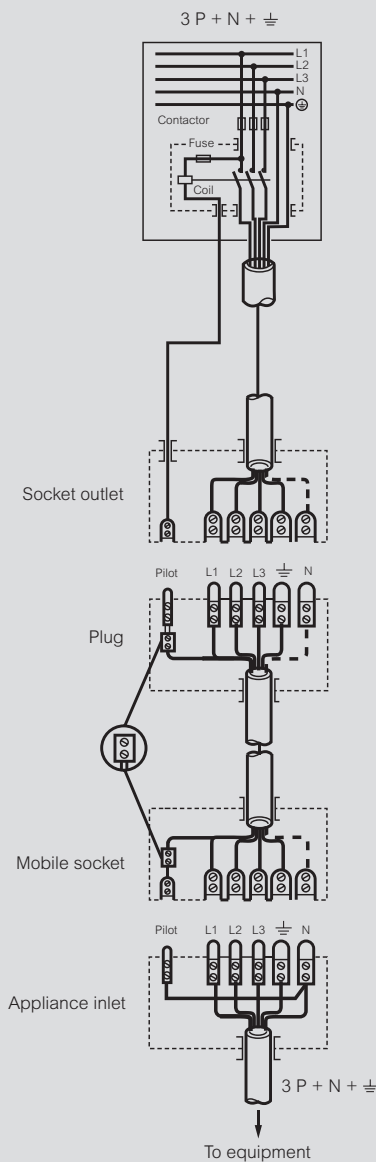
Plastic box equipped with :  
- 2 internal linked earth terminals

Back boxes → Panel mounting sockets ↓	Material	Weight (kg)	Fixings (mm)					Dimensions (mm)											
			A	B	H	C	D	E	F	G	I	J	K	X	Y	Z			
<b>16 A</b>																			
2 P + ⊕	Plastic	0.330	145	74	5.3	182	86	22	34	75	4	-	-	-	M20	-			
3 P + ⊕	Plastic	0.440	175	88	5.3	212	100	22	40	77	4	-	-	-	M20	-			
3 P + N + ⊕	Plastic	0.440	175	88	5.3	212	100	22	40	77	4	-	-	-	M20	-			
<b>32 A</b>																			
2 P + ⊕	Plastic	0.670	234	117	5.3	270	130	30	50	120	4	-	-	-	M25	-			
3 P + ⊕	Plastic	0.670	234	117	5.3	270	130	30	50	120	4	-	-	-	M25	-			
3 P + N + ⊕	Plastic	0.670	234	117	5.3	270	130	30	50	120	4	-	-	-	M25	-			
<b>63 A</b>																			
3 P + ⊕	Plastic	2.000	260	152	6.3	300	170	40	-	150	8	50	70	M32	-	M20			
3 P + N + ⊕	Plastic	2.000	260	152	6.3	300	170	40	-	150	8	50	70	M32	-	M20			

Note : Through entry boxes provide extra wiring space but not looping terminals

## ■ Example of 63/125 A 3 P + ⊕ and 3 P + N + ⊕ pilot pin connection

The pilot pin enables the load to be removed prior to the separation of the phase pins, when the circuit is routed via a contactor



The pilot pin connection accepts 2.5-6 mm<sup>2</sup> flexible or up to 10 mm<sup>2</sup> rigid conductor. It is the small centre pin in the connection

## ■ Pilot cabling

	63 A	Conductors type
Plugs and mobile sockets	2.5 to 6	Flexible
Surface and panel mounting sockets	2.5 to 10	Rigid